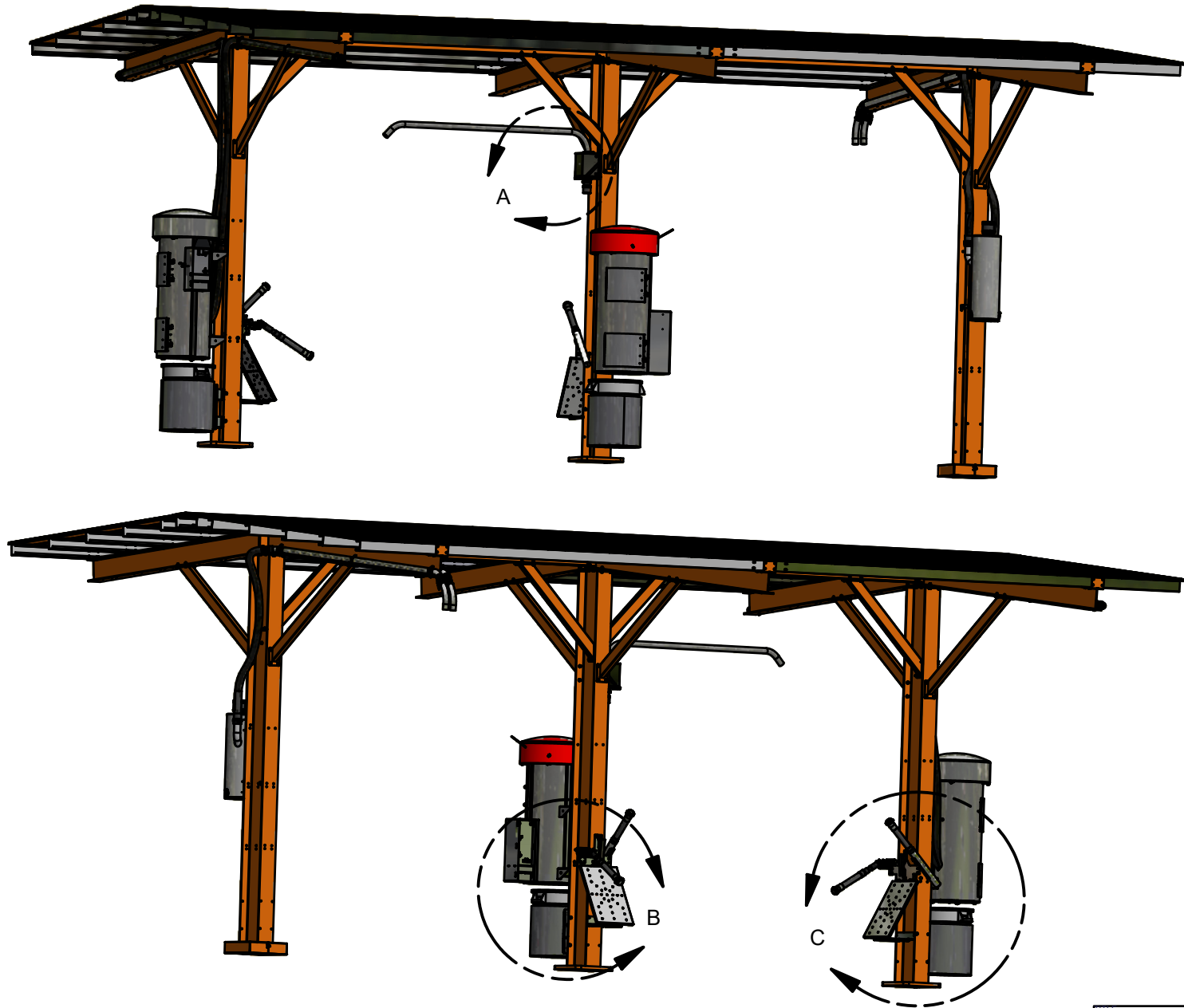



PART NO. 42000-2 CV ACC



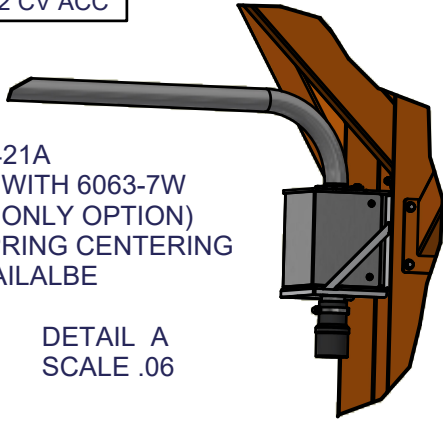
TITLE		HAVEN CENTRAL VACUUM ACCESSORIES SELECTION AID		CEDAR RAPIDS, IOWA	
UNSPECIFIED TOLERANCES		MATERIAL			
DRAWN BY		mws			
DATE		7/12/2023			
3 PL ± .003		SCALE			
ANGLE ± 1°		.018		SHEET NO. 1 / 3	
PART NO.		42000-2 CV ACC		REV. -	

REV	NO.	DESCRIPTION	DATE	BY

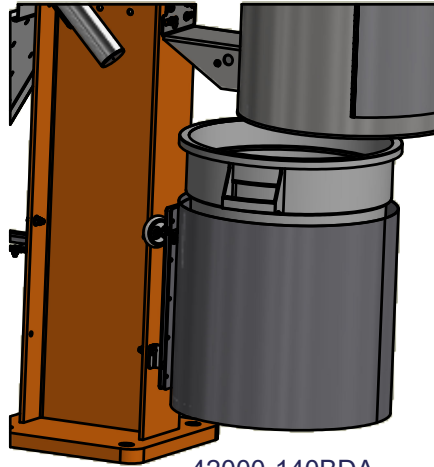
THIS DOCUMENT SHALL NOT BE REPRODUCED NOR SHALL THE INFORMATION THEREIN BE USED BY OR DISCLOSED TO OTHERS EXCEPT AS AUTHORIZED BY J.E. ADAMS INDUSTRIES

PART NO  
42000-2 CV ACC

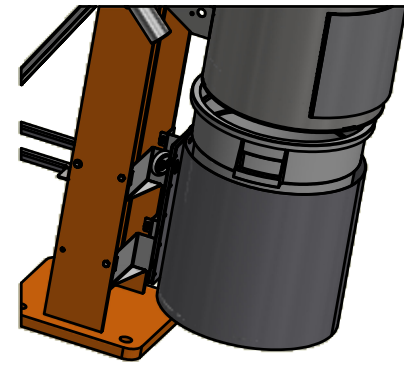
42000-421A  
(COME WITH 6063-7W  
BOOM, ONLY OPTION)  
STD SPRING CENTERING  
KIT AVAILALBE



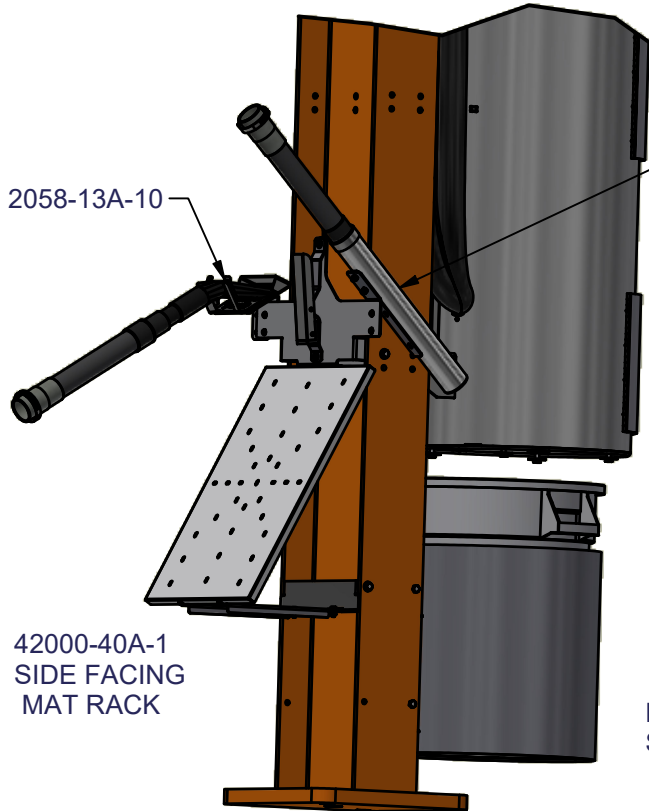
DETAIL A  
SCALE .06



42000-140BDA  
FRONT/REAR FACING  
BI-DIRECTIONAL SWING  
TRASH CAN

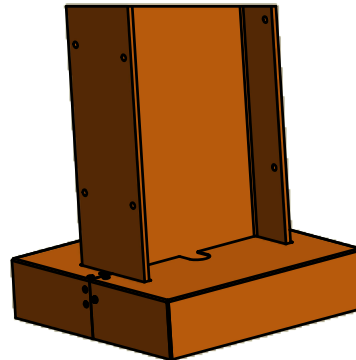


42000-140BDA  
LEFT/RIGHT FACING  
BI-DIRECTIONAL SWING  
TRASH CAN

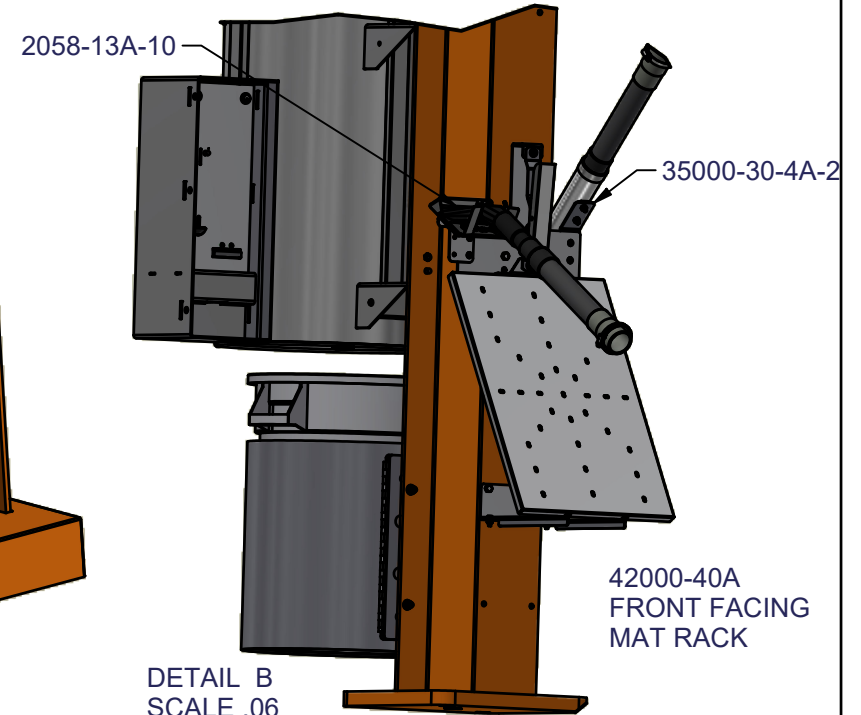


42000-40A-1  
SIDE FACING  
MAT RACK

DETAIL C  
SCALE .06



42000-CAP  
BASE COVER



42000-40A  
FRONT FACING  
MAT RACK

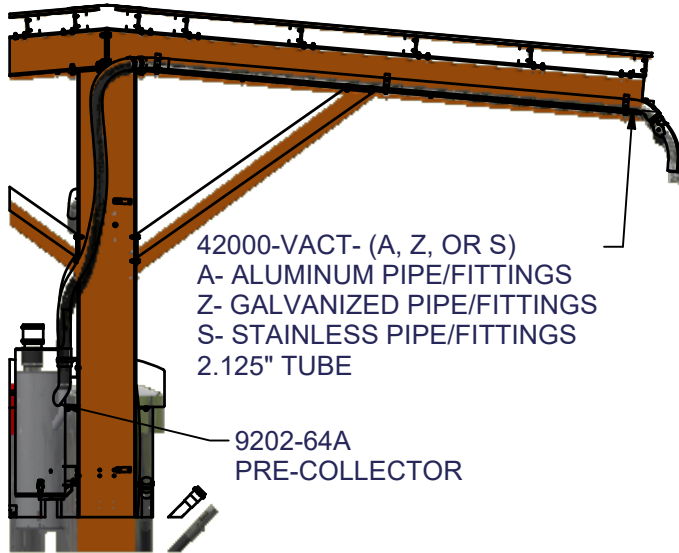
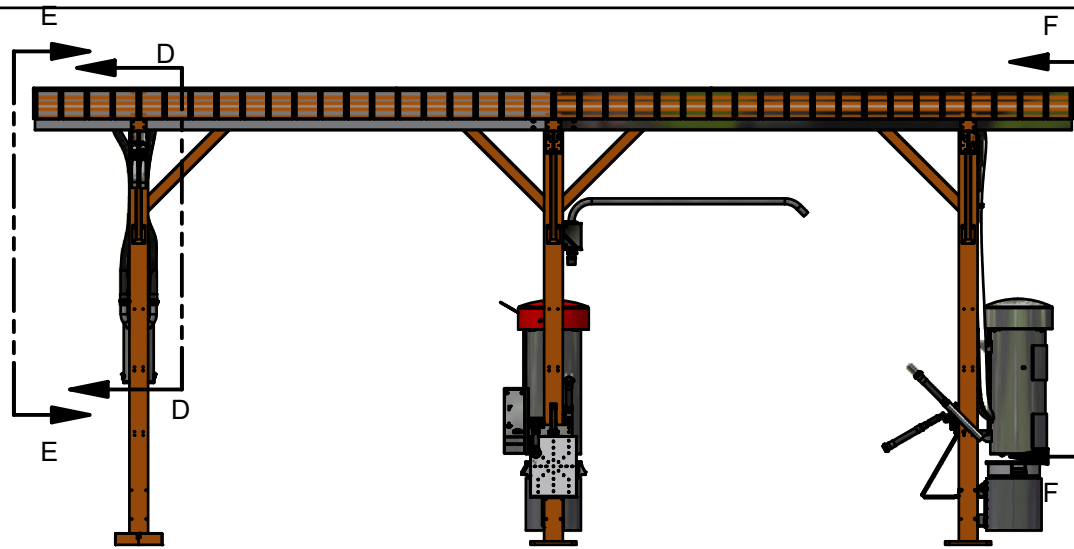
DETAIL B  
SCALE .06

REV	NO.	DESCRIPTION	DATE	BY
THIS DOCUMENT SHALL NOT BE REPRODUCED NOR SHALL THE INFORMATION THEREIN BE USED BY OR DISCLOSED TO OTHERS EXCEPT AS AUTHORIZED BY J.E. ADAMS INDUSTRIES				

TITLE				
HAVEN CENTRAL VACUUM ACCESSORIES SELECTION AID				
UNSPECIFIED TOLERANCES	MATERIAL	CEDAR RAPIDS, IOWA		
1 PL ±.030	DRAWN BY	mws		
2 PL ±.020	DATE	7/12/2023		
3 PL ±.003	SCALE	SHEET	PART NO	REV.
ANGLE ±1°	.018	2 / 3	42000-2 CV ACC	-



PART NO. 42000-2 CV ACC



42000-VACT- (A, Z, OR S)  
 A- ALUMINUM PIPE/FITTINGS  
 Z- GALVANIZED PIPE/FITTINGS  
 S- STAINLESS PIPE/FITTINGS  
 2.125" TUBE

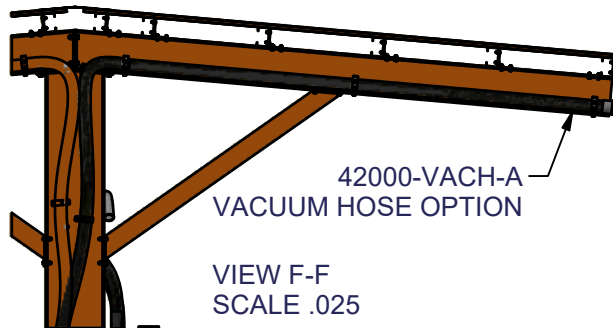
9202-64A  
 PRE-COLLECTOR

VIEW E-E  
 SCALE .025

42000-VACP-A  
 2.0" PVC PIPE/FITTINGS


SECTION D-D  
 SCALE .025

9202-64A  
 PRE-COLLECTOR



42000-VACH-A  
 VACUUM HOSE OPTION

VIEW F-F  
 SCALE .025

TITLE					
HAVEN CENTRAL VACUUM ACCESSORIES SELECTION AID					
UNSPECIFIED TOLERANCES		MATERIAL		CEDAR RAPIDS, IOWA	
1 PL ±.030	DRAWN BY	mws			
2 PL ±.020	DATE	7/12/2023			
3 PL ±.003	SCALE	.018			
ANGLE ±1°	SHEET	3 / 3		PART NO.	REV.
				42000-2 CV ACC	-

REV	NO.	DESCRIPTION	DATE	BY
THIS DOCUMENT SHALL NOT BE REPRODUCED NOR SHALL THE INFORMATION THEREIN BE USED BY OR DISCLOSED TO OTHERS EXCEPT AS AUTHORIZED BY J.E. ADAMS INDUSTRIES				