

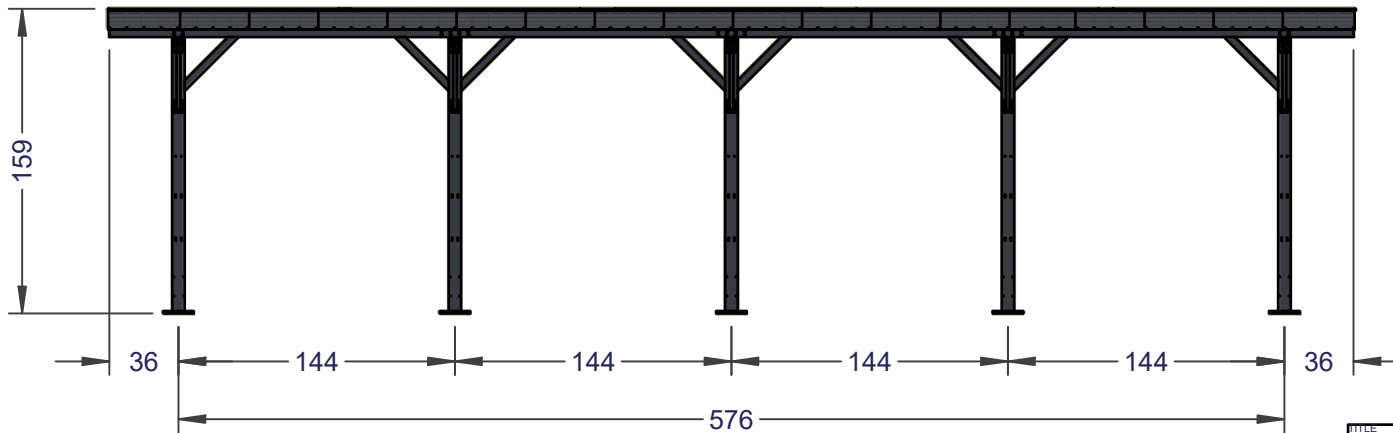
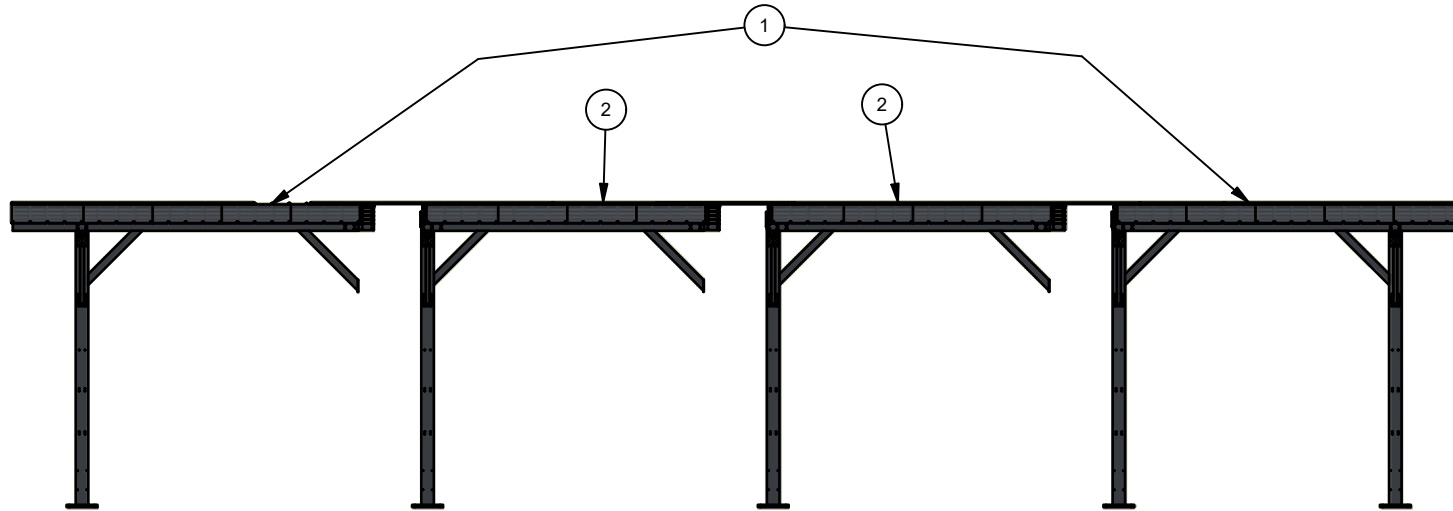
PART NO.
42000 Multi-Stall Aid


BILL OF MATERIALS

ITEM	PART NUMBER	DESCRIPTION	QTY
1	42000-2	CANOPY, LINKED 2 BAY, 12 FOOT, STARTER KIT	1
2	42000-2-1	CANOPY, LINKED BAY, ADD A BAY, 12 FOOT	2

NOTES:

1. COLORS FOR ROOFING MUST BE CHOSEN; SEE <https://www.affordablemetalmfg.com/color-picker/>
2. SEE 42000 INSTALLATION MANUAL FOR MORE DETAILS ON INSTALLATION.
3. QTY 1 OF 42000-2-1 IS REQUIRED FOR EACH ADDITIONAL STALL AFTER TWO STALLS.
4. SEE SHEET TWO FOR SOFFITED OPTION



TITLE		Haven Multi-Stall Selection Aid		CEDAR RAPIDS, IOWA			
UNSPECIFIED TOLERANCES	MATERIAL						
1 PL ± .030	DRAWN BY					mike	
2 PL ± .020	DATE					1/27/2022	
3 PL ± .003	SCALE	1 / 100	SHEET	1 / 2	PART NO.		
ANGLE ± 1°					42000 Multi-Stall Aid	REV.	
						-	

REV	NO.	DESCRIPTION	DATE	BY

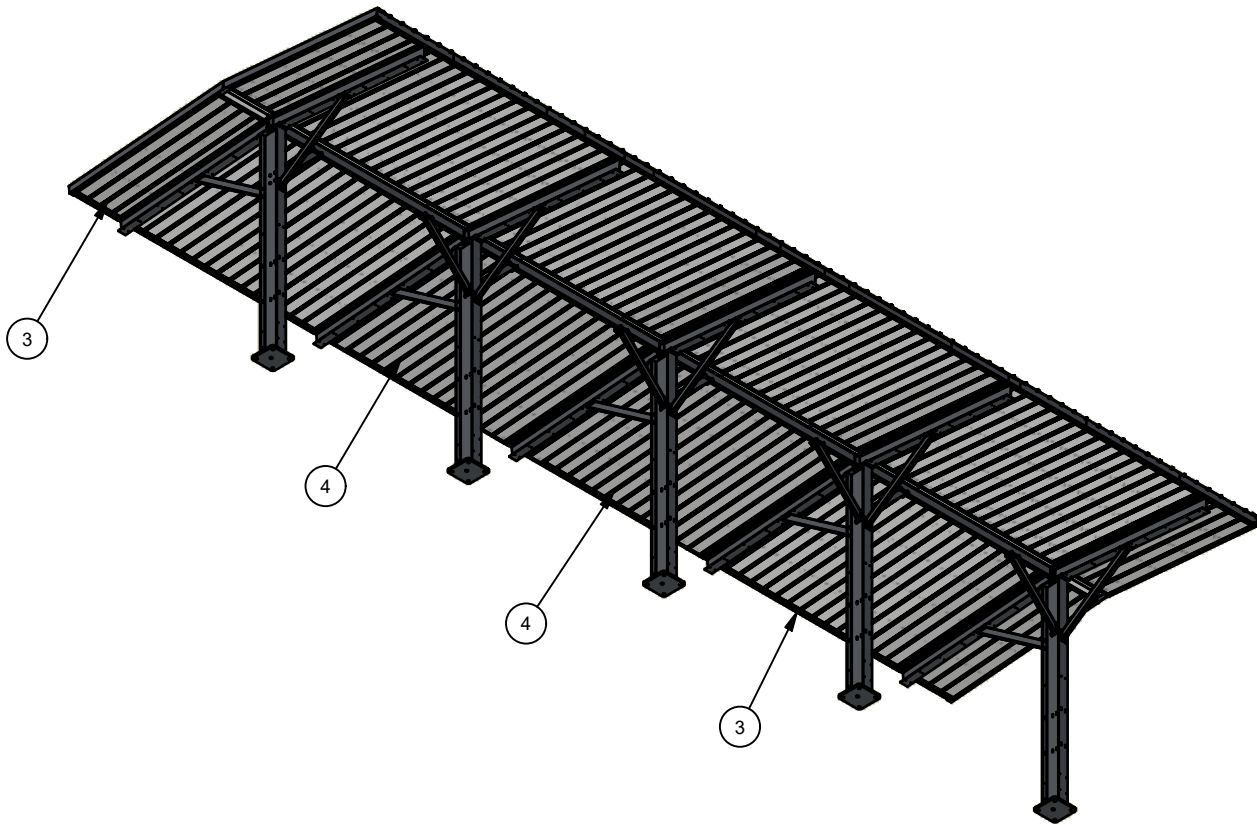
THIS DOCUMENT SHALL NOT BE REPRODUCED NOR SHALL THE INFORMATION THEREIN BE USED BY OR DISCLOSED TO OTHERS EXCEPT AS AUTHORIZED BY J.E. ADAMS INDUSTRIES


PART NO.
42000 Multi-Stall Aid

NOTES:

1. COLORS FOR SOFFIT PANELS, J TRIM AND SCREW MUST BE CHOSEN; SEE <https://www.affordablemetalmfg.com/color-picker/>
2. GENERALLY THE J CHANNEL, SCREWS AND SOFFIT PANELS WILL BE SAME COLOR
3. SEE 42000 SOFFIT MANUAL FOR MORE DETAILS ON INSTALLATION
4. ITEMS 1 AND 2 ARE SAME AS SHEET 1
5. QTY 1 OF 42000-2-1SFT IS REQUIRED FOR EACH 42000-2-1

BILL OF MATERIALS			
ITEM	PART NUMBER	DESCRIPTION	QTY
1	42000-2	CANOPY, LINKED 2 BAY, 12 FOOT, STARTER KIT	1
2	42000-2-1	CANOPY, LINKED BAY, ADD A BAY, 12 FOOT	2
3	42000-2SFT	SHELTER, LINKED 2 BAY, 12 FT SOFFIT	2
4	42000-2-1SFT	SHELTER, LINKED CENTER BAY, 12 FT, SOFFIT	2



TITLE		Haven Multi-Stall Selection Aid		CEDAR RAPIDS, IOWA	
UNSPECIFIED TOLERANCES	MATERIAL	DRAWN BY			
1 PL ±.030		BY mike			
2 PL ±.020		DATE 1/27/2022			
3 PL ±.003	SCALE	SHEET	PART NO.	REV.	
ANGLE ± 1°	1 / 100	2 / 2	42000 Multi-Stall Aid	-	

REV	NO.	DESCRIPTION	DATE	BY

THIS DOCUMENT SHALL NOT BE REPRODUCED NOR SHALL THE INFORMATION THEREIN BE USED BY OR DISCLOSED TO OTHERS EXCEPT AS AUTHORIZED BY J.E. ADAMS INDUSTRIES